

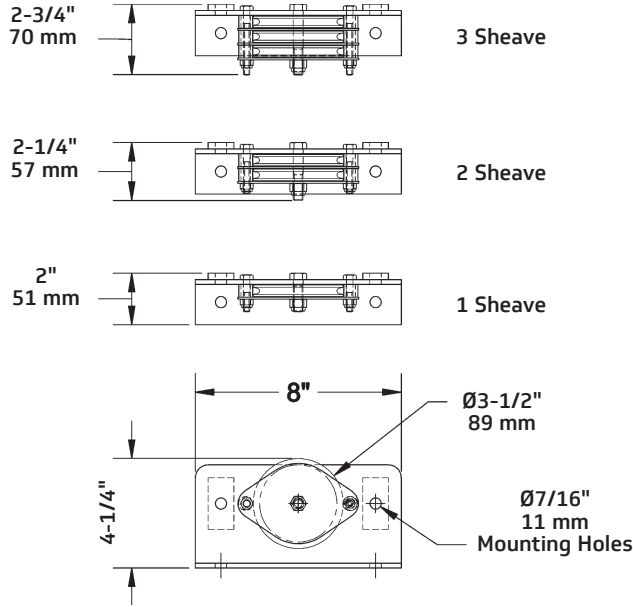
Light Duty Blocks

- For use in light duty applications such as supporting fire lines
- 3" (76 mm) diameter steel sheaves
- Formed steel base allows vertical or horizontal mounting
- Available with 3/8" (10 mm) or 1/8" (3 mm) groove
- Three-year warranty against defects in materials or workmanship is provided on all J.R. Clancy equipment, additional warranty information is available at jrclancy.com



Light Duty Block
013-175

Dimensions



Order Information

Number	Description	RWL	Weight
Grooved for 3/8" (10 mm) Rope			
013-175	3" (76 mm, 1 Sheave for 3/8" (10 mm) Rope	50 lb (27.6 kg)	3.5 lb (1.6 kg)
013-275	3" (76 mm, 2 Sheave for 3/8" (10 mm) Rope	100 lb (45.3 kg)	3.5 lb (1.6 kg)
013-375	3" (76 mm, 3 Sheave for 3/8" (10 mm) Rope	150 lb (68 kg)	3.5 lb (1.6 kg)
Grooved for 1/8" (3 mm) Rope			
013-176	3" (76 mm, 1 Sheave for 1/8" (3 mm) Rope	50 lb (27.6 kg)	3.5 lb (1.6 kg)
013-276	3" (76 mm, 2 Sheave for 1/8" (3 mm) Rope	100 lb (45.3 kg)	3.5 lb (1.6 kg)
013-376	3" (76 mm, 3 Sheave for 1/8" (3 mm) Rope	150 lb (68 kg)	3.5 lb (1.6 kg)
RWL: RWL is maximum load that can be applied to a block which is in "like new" condition and has been properly installed, maintained, and operated.			

